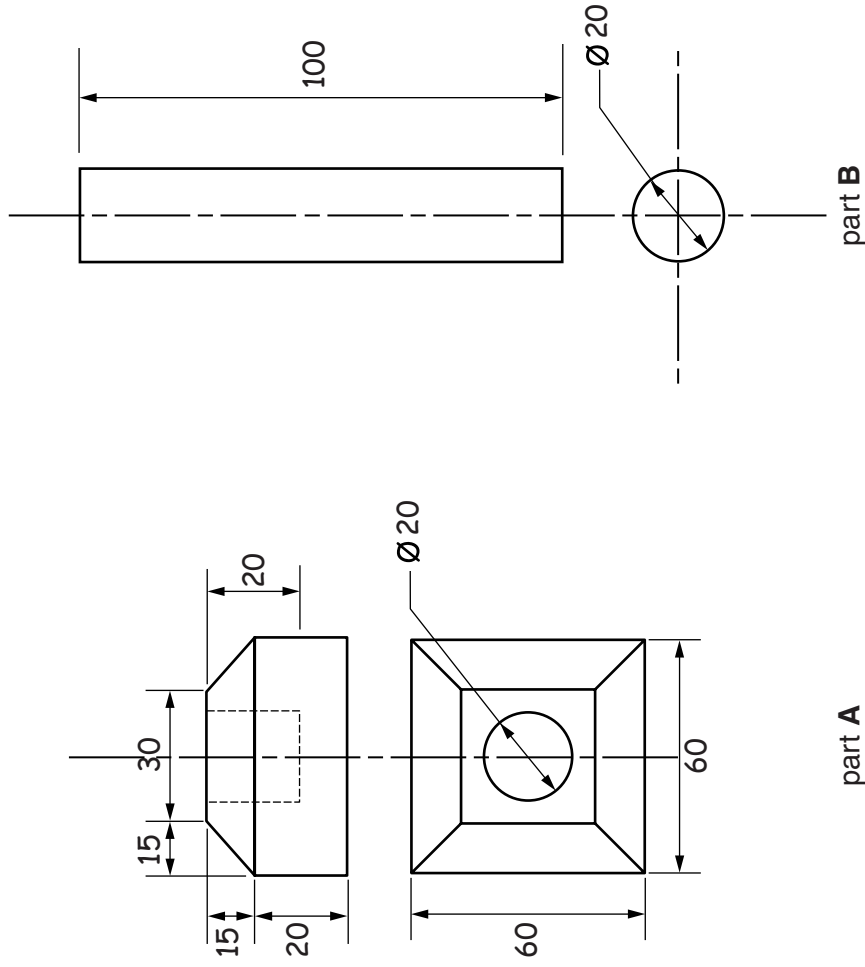


Section A
Answer all questions in this section.

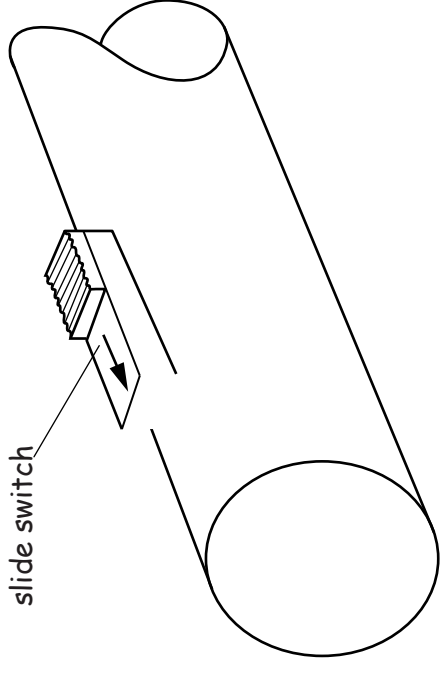
A1 Sketches of the two parts of a model of a torch are shown below. Part **B** slots into the hole in part **A**.



(a) From the given start point **X** draw a full size isometric view of part **A** of the model of a torch. [9]



(b) Complete the sketch below to show a slide switch joined to part **B** of the model of a torch. [2]



A2 State a suitable material for the model of a torch and give **two** reasons why the material has been chosen.

Material [1]

Reasons why the material has been chosen:

1. [1]

..... [1]

2.

..... [1]

0445/22
© UCLES 2015

Oct/Nov 2015 **1 hour**
DC (ST/FD) 101710/3

Centre Number

Candidate Number

Candidate Surname

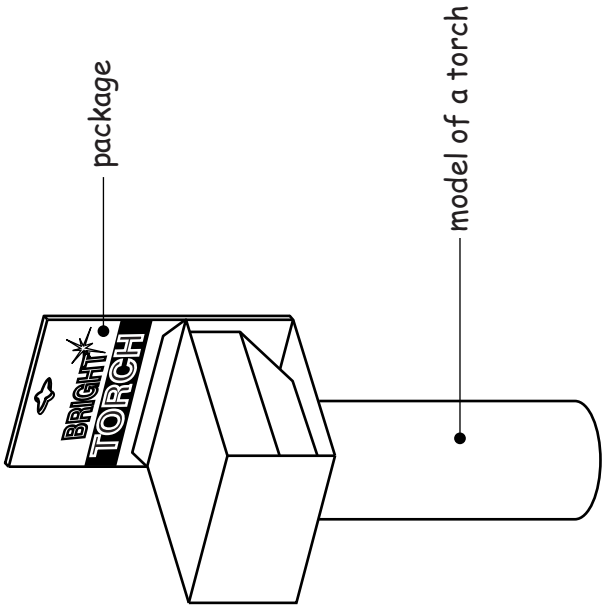
.....

Other Names

[Turn over

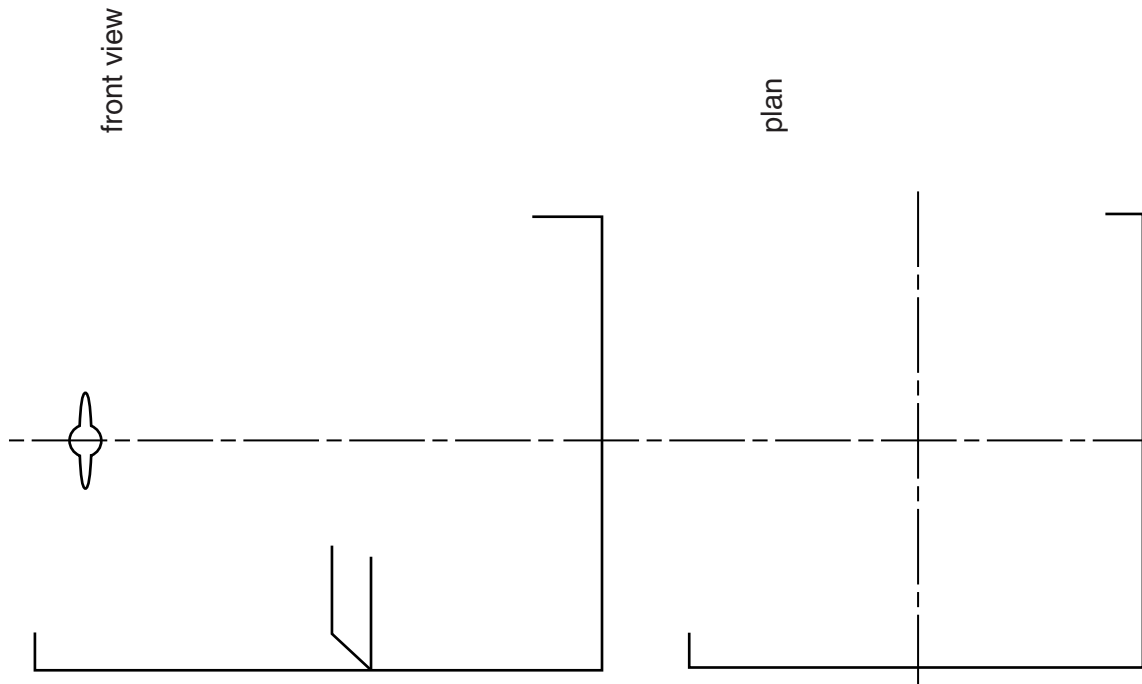
For Examiner's use

A3 A sketch of the fully assembled model of the torch and its card package are shown below.



(b) In the space below sketch the development (net) for the package. [5]

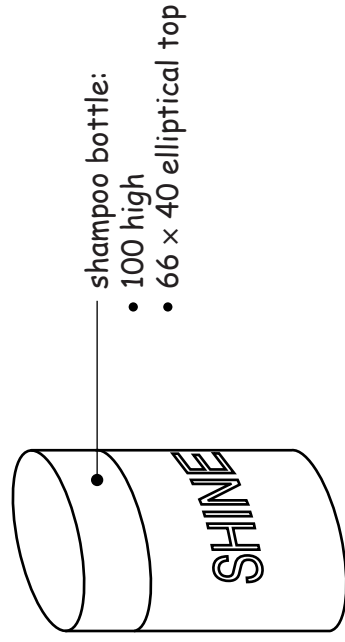
(a) Complete the **two** orthographic views below of the package. Do **not** include the model of the torch. Ignore the thickness of the card. [4]



(c) Explain why the package is considered to be environmentally friendly.

-
-
-
-
- [2]

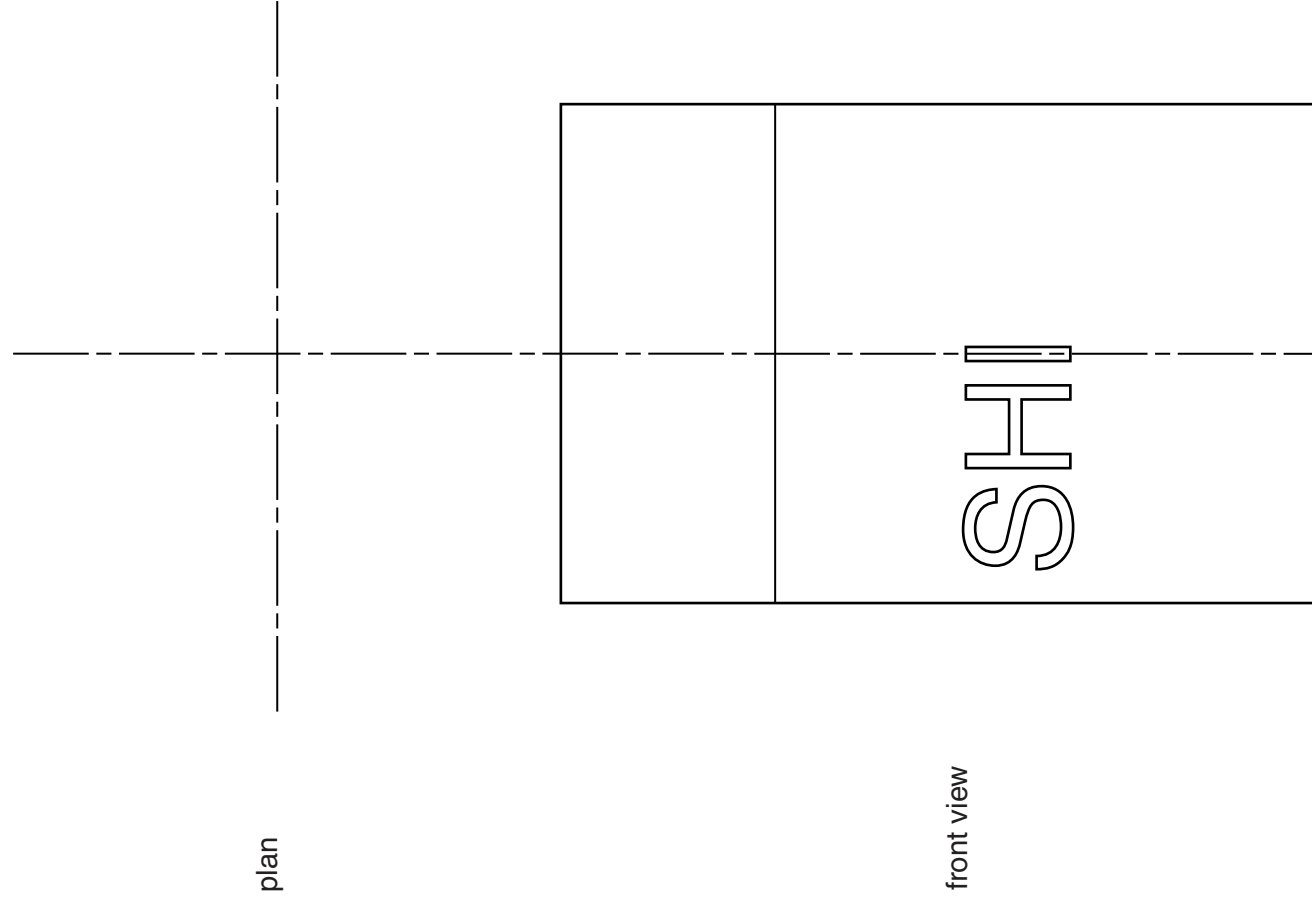
B5 A sketch of a shampoo bottle is shown below.



(a) Complete the full size orthographic views of the shampoo bottle below by:

(i) adding the elliptical shape in plan view; [8]

(ii) completing the word SHINE. [3]



(b) Complete the table below to show three pieces of information that would be included on the shampoo bottle.

Information	Explanation
	This identifies that the bottle is made from h..... d..... polyethylene and can be recycled. [2]

[3]

[3]

(c) The results of a questionnaire on customers' favourite shampoo are shown below.

	Shine	Goglow	Healthy
favourite	700	400	550

In the space below draw a bar chart to show the results of the questionnaire. Use labels and colour to enhance the appearance of the drawing. [6]